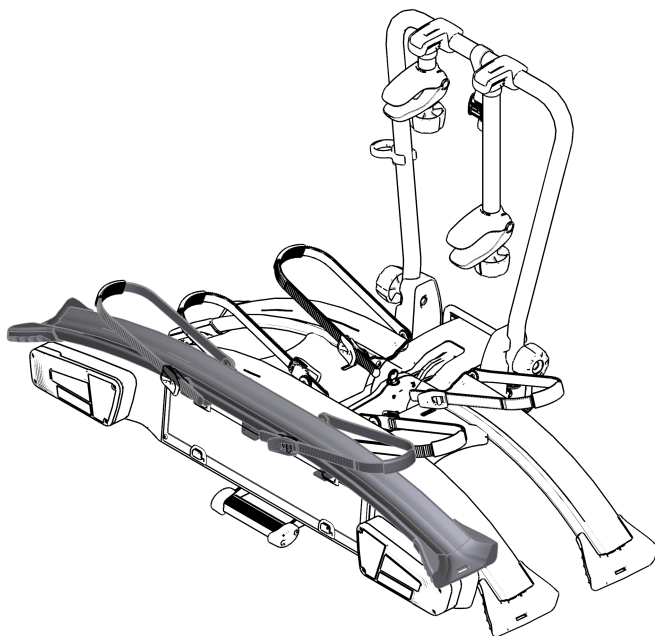


**Peruzzo** 100% MADE IN ITALY  <sup>®</sup>



**Art.1002**

**[www.peruzzosrl.com](http://www.peruzzosrl.com)**

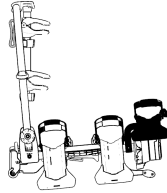
Peruzzo s.r.l. - Via Meucci 115 - Rossano Veneto ( Vicenza ) - Italy

# Art.1002

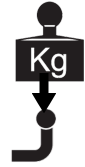
x3



+

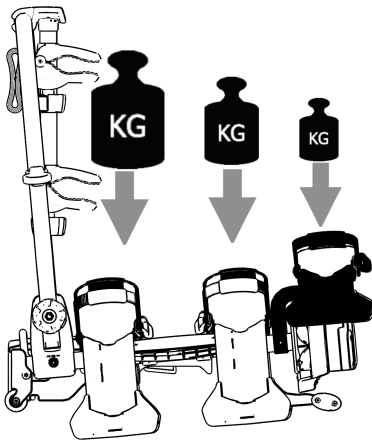


≤



Max.60Kg + 20,2 Kg ≤

Max. xx Kg



Max.17 kg



Max.17 kg



Max.15 Kg  
(Art.1002)

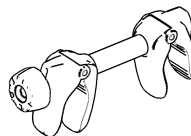
Max. 60Kg

Art.1002= 2 Kg

## Not Included

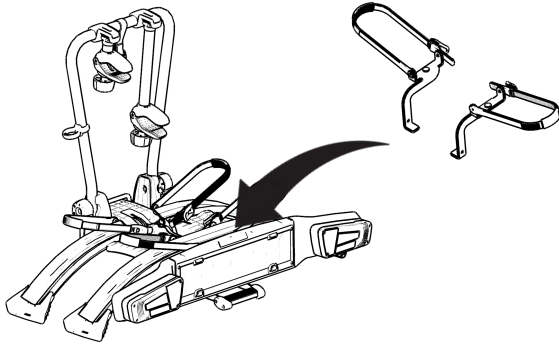


## Included

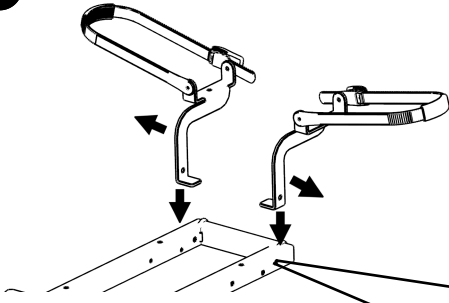





Art.693/QTA

%

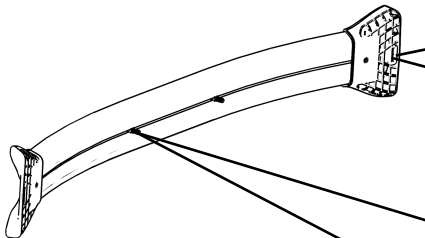


&



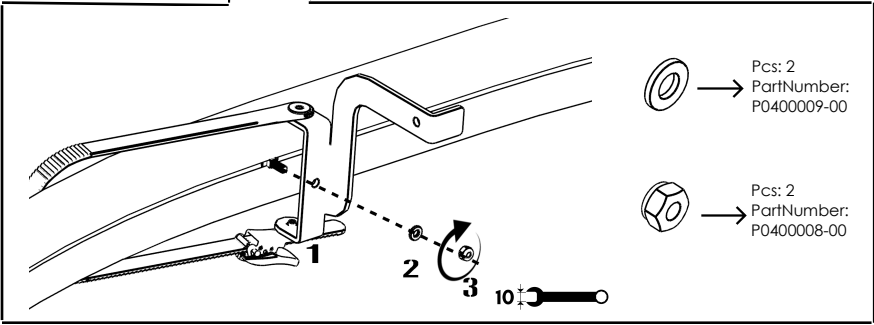
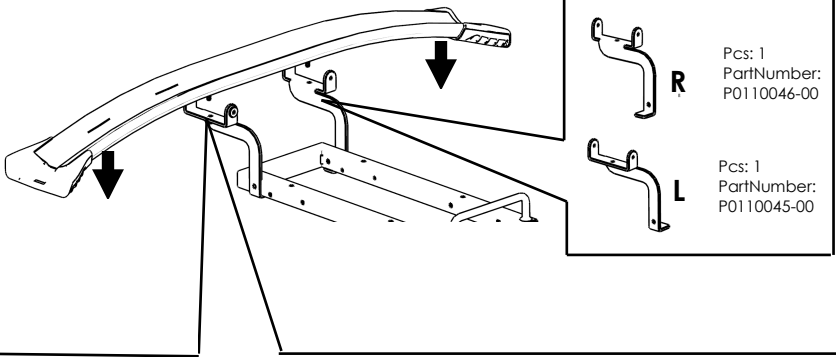
 → Pcs: 4  
 PartNumber: P0400010-00  
 → Pcs: 2  
 PartNumber: P0400002-00  
 → Pcs: 2  
 PartNumber: P0400004-00

!



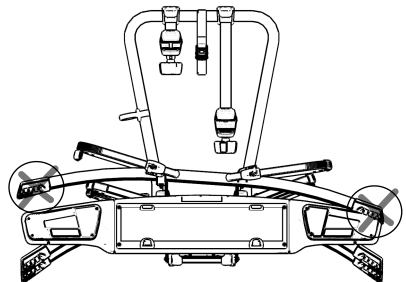
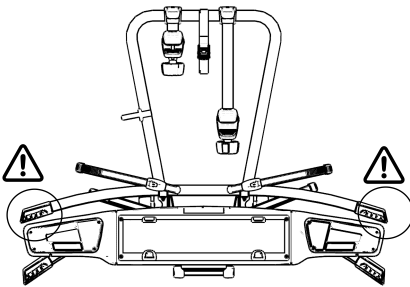
Pcs: 2  
 PartNumber:  
 P0300092-00

Pcs: 2  
 PartNumber:  
 P0510023-00



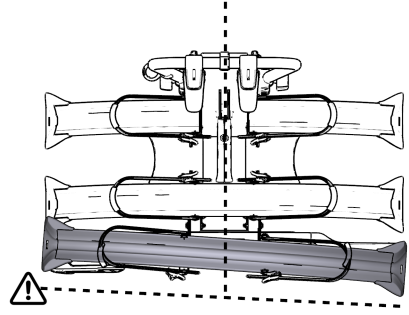
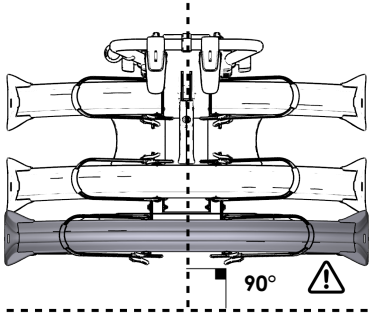
✓ OK

✗ NOT OK

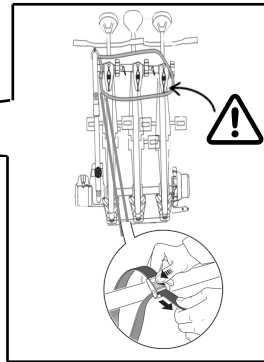
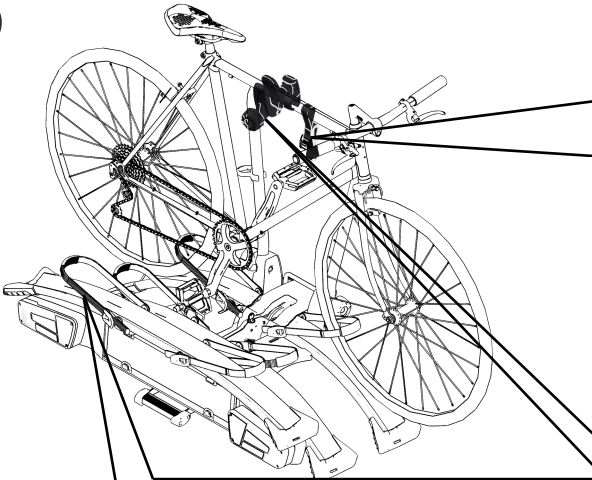


\* ✓ OK

✗ NOT OK

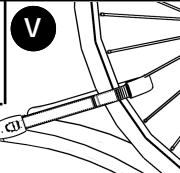
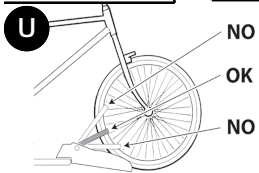
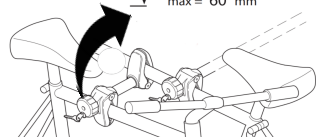


i



W

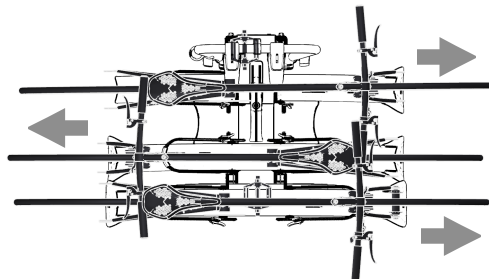
∅ min = 20 mm  
max = 60 mm



X



Art.1002



**MANUFACTURED BY:** Peruzzo Srl, Via Meucci, 115  
36028 Rossano Veneto (VI)

**UK AUTHORIZED REPRESENTATIVE:** Health & Safety  
Project Engineering LTD, 47 Newtown Road, Bishop's  
Stortford, CM23 3SB, Hertfordshire(UK)

**NAME:** Ing.re Ivano Manfrin

**e-mail:** [ivano.manfrin@engineer.uk.net](mailto:ivano.manfrin@engineer.uk.net)